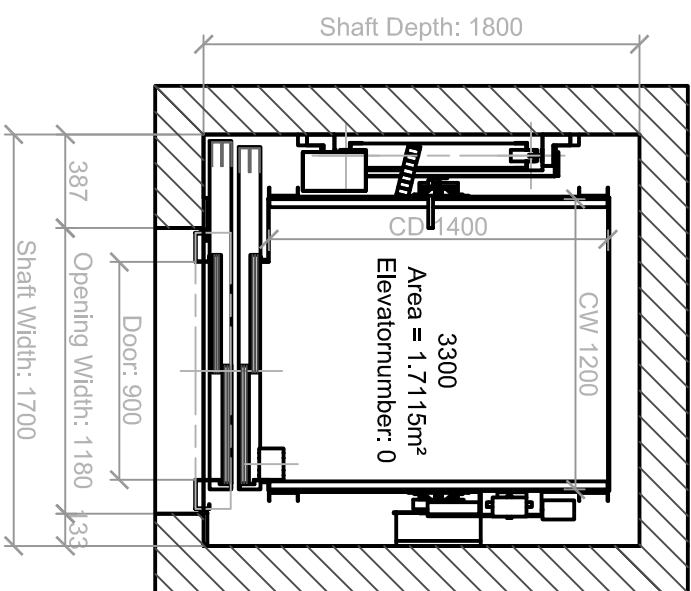
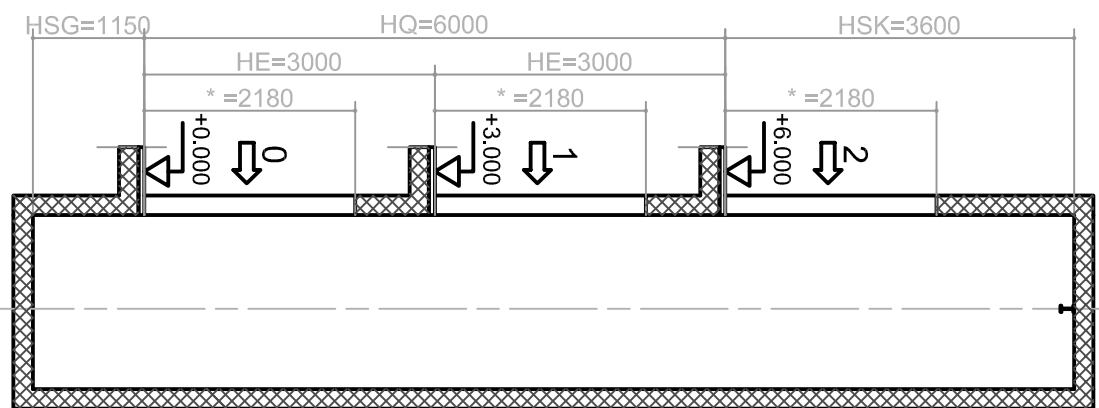
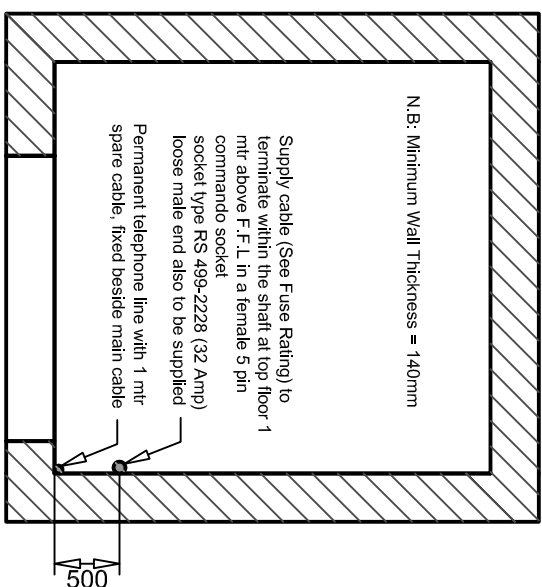


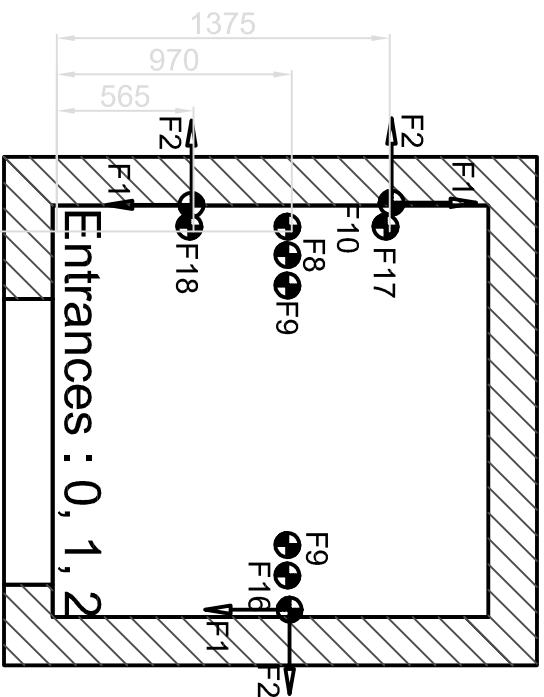
Section A-A 1:75



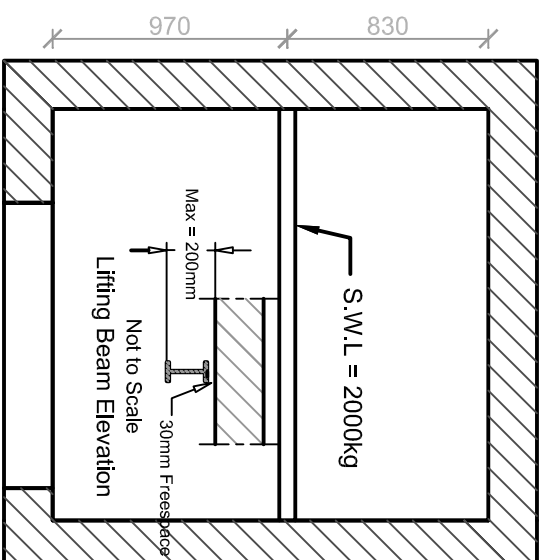
Lift Car Plan
Scale: 1:30



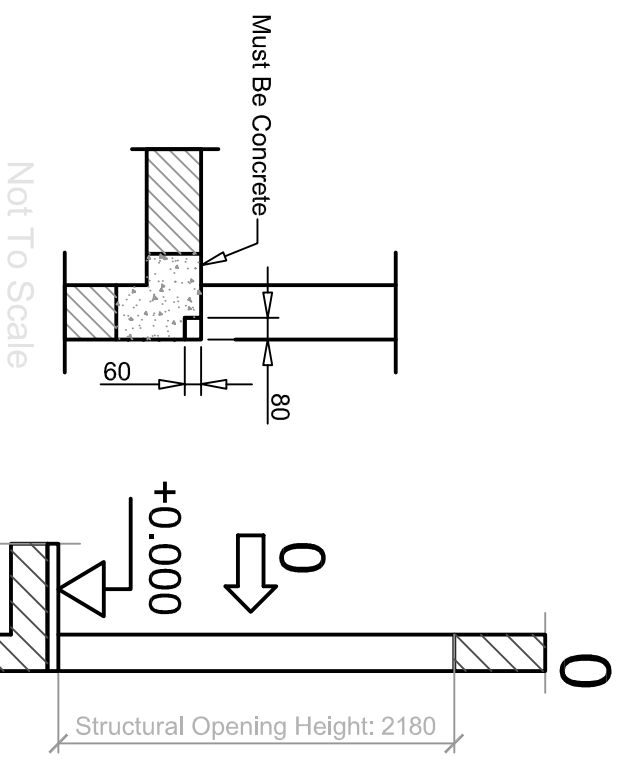
Electrical Plan
Scale: 1:30



Entrances : 0, 1, 2
Scale: 1:30
Loadings On Pit & Well Walls



Plan of lifting beam
Scale: 1:30



Recess Detail (At All Floors)
Scale: 1:40
Wall Openings

Other technical data: look up "Builders responsibilities"

Ind.	Modification	Name	Date

Loads (N)

F1 = 445	F5 =	F9 = 26200	F13 =	F17 = 10500
F2 = 669	F6 =	F10 = 39100	F14 =	F18 = 10500
F3 =	F7 =	F11 =	F15 =	
F4 =	F8 = 19100	F12 =	F16 = 37900	

Load F8 in case of operation of the safety gear.
Loads F9 + F10 in case either car or counterweight lands on the buffers.

ELECTRICAL DATA :

Nominal Voltage (V)	3x400 +N+PE	Nom. power of installation SN	4.6
Main frequency (Hz)	50	Main fuse (building) SIH	20
Voltage and frequency deviation	+10/-10 % Min. cross of supply cable		4
Power supply for light (V)	230	Max. length of supply cable	133
Nom. current of installation IIN	16	Total heat generation POW	---
Start. current of installation INA	19		

BUILDER'S WORKPLAN Schindler 3300

Installation place -----
SAMPLE 9 PERSON 675kg LIFT (900mm Doors)

NOT FOR CONSTRUCTION - Schindler Accept no responsibility for works carried out prior to construction issue drawings

Further inquiries concerning this plan on
Tel: 020 8818 7900 Fax: 020 8818 7879

Drawn	28/01/2008	A3
Comm. No.	5678	
Plan No.	.201	
		01