

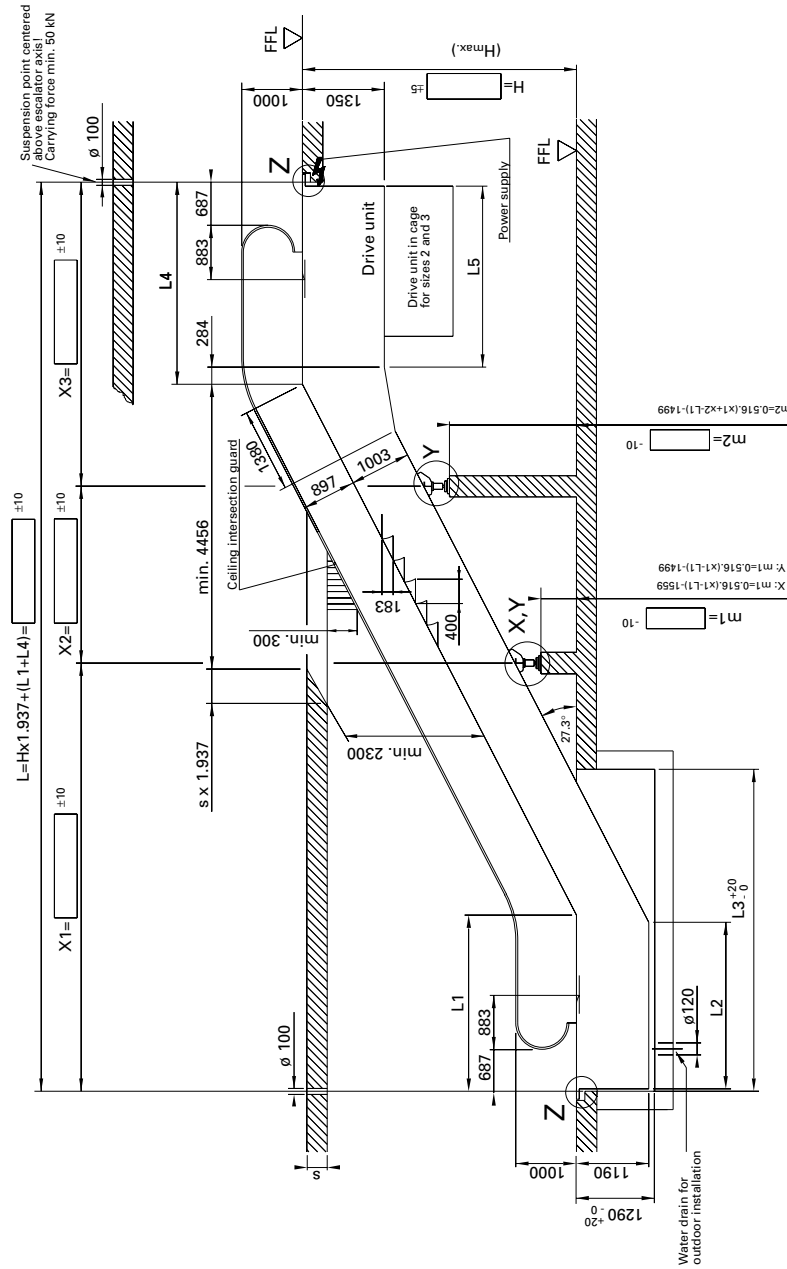
Schindler 9700™

Type 40 / 27.3° – M, L, S

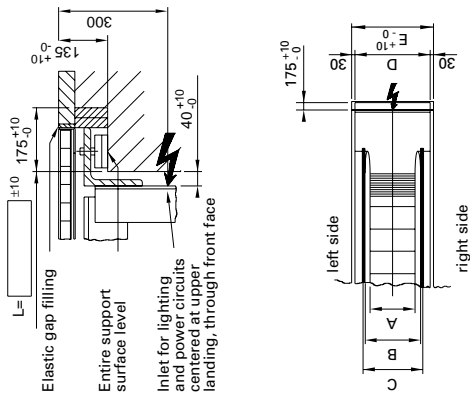
Balustrade:
Balustrade height:
Truss:

Design I
1000 mm
Standard

Inclination: 27.3°
Step width: 800/1000 mm
Step run: 3, 4, 5 horizontal steps



Detail Z

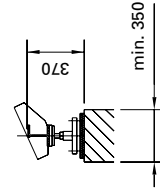


	Step run		
	M	L	S
L1:	3148	3548	3948
L2:	2988	3388	3788
L3:	5650	6050	6450
L4:	3619	4019	4419
L5:	3295	3695	4095

The specified dimensions are minimum dimensions; according to the configuration, larger dimensions might apply.
(Example: L4, L5: + 90 mm for broom step, rise > 17 m, country code MTRC)

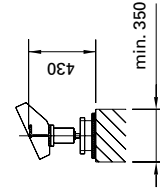
Detail Y

(from 2 intermediate supports upward)



Detail X

(1 intermediate support)



Speed $v = 0.5 - 0.75$ m/s

Nominal rise according to EN 115 with $A = 1000$ mm

Size 1: max. 16 m
Size 2: max. 22 m
Size 3: max. 30 m

	Step width		
	Size: 1, 2	Size: 2	Size: 3
A: Step width	800	1000	1000
B: Width between handrails	1082	1282	1282
C: Handrail center distance	1162	1362	1362
D: Escalator width	1490	1690	1790
E: Pit dimension	1550	1750	1850
L max.: without intermediate supports	18200	16900	16900
X _{1,2,3} max.: with intermediate supports	15000	14000	14000

Please contact Schindler for support loads, motor ratings, transport dimensions, and weights. Please contact Schindler for dimensions relating to truss extensions, double drives, drive units in cages, frequency converters, and lighting installations. Basic design according to EN115 with 1.5 mm sheet-steel cladding. Please contact Schindler for other specifications. Please request detailed drawings Z, X and Y for expansion joints, seismic specifications and wind loads respectively from Schindler. For rises > 16000, we recommend to contact the supplying factory (LW). For sizes 2 and 3, external control cabinets are required. Please contact the supplying factory (LW) for availability and delivery dates.

All dimensions in mm. Observe national regulations! Subject to changes.

